

ZECL-30-3226 Electric Fireplace with log set
and optional ZECL-30 mantle in Espresso



ZERO CLEARANCE & INSERTS

LED LIGHT - HEATER WITH FAN

Amantii

ZERO-CLEARANCE SERIES



ZECL-26-2923 Electric Fireplace with Harvest Moon fire glass

ZECL-26-2923 SPECIFICATIONS

ZERO CLEARANCE SERIES Fireplace Features

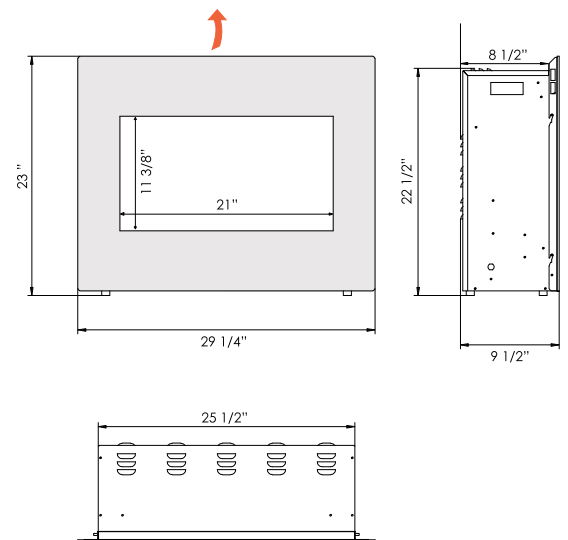
- Perfect for New Construction
- Clean black glass surround
- **NEW** Hard wire ready
- Control brightness of front and rear flames
- Latest LED light technology
- **NEW** LED ember lights in log set
- Flame operates with or without heat
- Heater and fan
- Heat is vented out the top, except on flush mount models where heat is vented from the face of the surround
- No grills
- Approx. heating area 400 - 500 sq. ft.
- Remote control for flame and heater
- Optional Mantle available for ZECL-30-3226 in Espresso finish
- Three colors of fire glass media and LED ember log set in the box
- Plug on the left side



Enduring Style.

By design the ZECL-26-2923 is an excellent choice for new construction or renovation projects. Simple and quick to install, this aesthetically pleasing unit features a black glass surround that easily complements any decor. Comes with three colors of fire glass media and LED ember log set.

Volts	120
Amps	12.5
Watts	1500 max
Heater On	1500 watts high, 750 watts low
Heater Off	22 watts
Lamps	LED 22 watts
Rotor Motor	1 at 5 watts
Height, Width, Depth	22 1/2 x 25 1/2 x 8 1/2
Glass Viewing Opening	21 x 11 3/8
Surround Size	29 1/4 x 23
Shipping Size	25 1/4 x 32 3/4 x 12 1/4
Shipping Weight	55 lbs. Glass Included
Cord Length	76"





ZECL-26-2923-FLUSHMNT Electric Fireplace with Harvest Moon fire glass

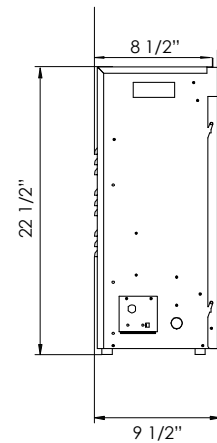
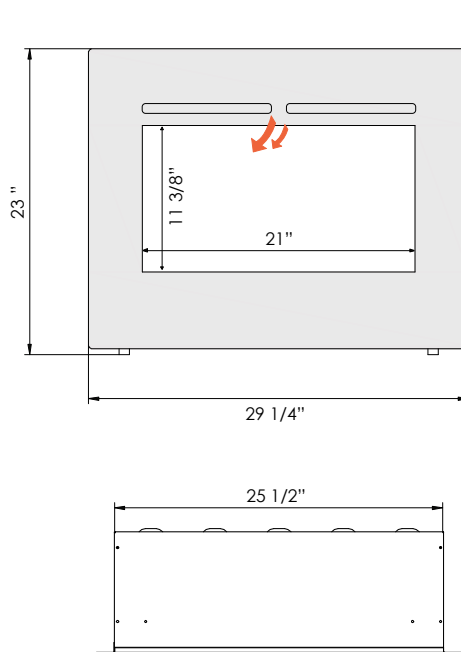
ZECL-26-2923-FLUSHMNT SPECIFICATIONS



ZECL-26-2923 Flushmount

The ZECL-26-2923-FLUSHMNT features the same exceptional flame presentation that Amantii is known for. Heat is emitted from the face of the surround allowing for a true flush mount. This stylish unit fits perfectly into any setting. Comes with three colors of fire glass media and LED ember log set.

Volts	120
Amps	12.5
Watts	1500 max
Heater On	1500 watts high, 750 watts low
Heater Off	22 watts
Lamps	LED 22 watts
Rotor Motor	1 at 5 watts
Height, Width, Depth	22 1/2 x 25 1/2 x 8 1/2
Glass Viewing Opening	21 x 11 3/8
Surround Size	29 1/4 x 23
Shipping Size	25 1/4 x 32 3/4 x 12 1/4
Shipping Weight	55 lbs. Glass Included
Cord Length	76"



work of art



ZECL-30-3226 Electric Fireplace with log set

ZECL-30-3226 SPECIFICATIONS

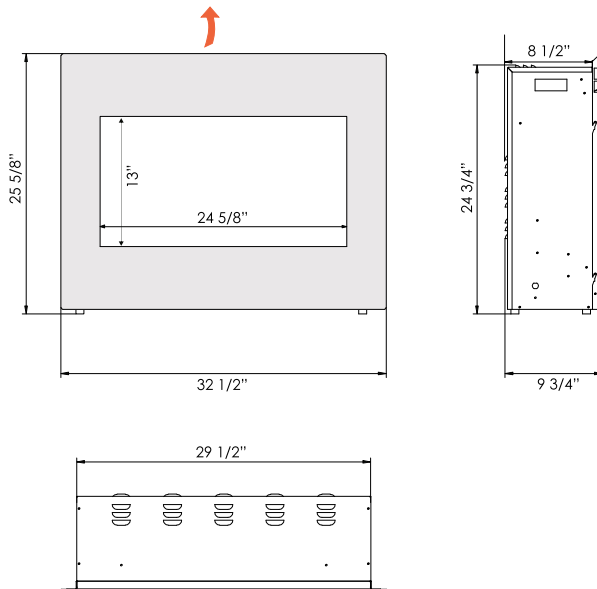


Hot & Fashionable.

Designed for new construction or renovation projects, the electric ZECL-30-3226 is an excellent alternative to gas or wood fireplaces. Quick and easy installation allows for immediate enjoyment of the state-of-the-art flame and heating system. Comes with three colors of fire glass media & log set.

The ZECL-30-3226 fits into our optional ZECL-30 Mantel (see page 5.)

Volts	120
Amps	12.5
Watts	1500 max
Heater On	1500 watts high, 750 watts low
Heater Off	22 watts
Lamps	LED 22 watts
Rotor Motor	1 at 5 watts
Height, Width, Depth	24 3/4 x 29 1/2 x 8 1/2
Glass Viewing Opening	24 5/8 x 13
Surround Size	32 1/2 x 25 5/8
Shipping Size	27 3/4 x 35 1/4 x 12 1/4
Shipping Weight	64 lbs. Glass Included
Cord Length	76"



ZECL-30 MANTLE

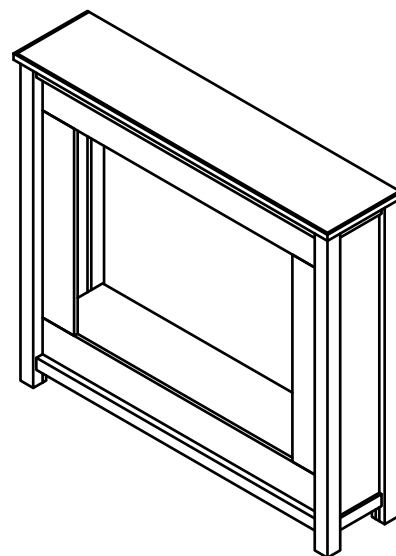
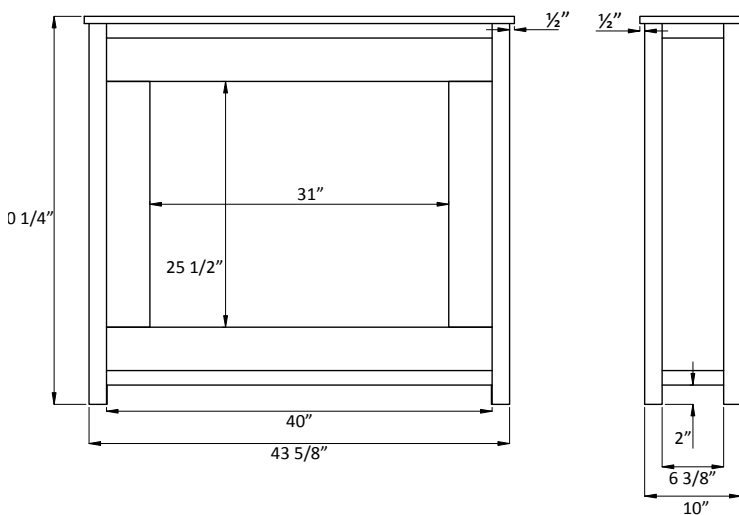
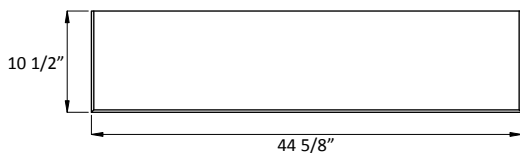
Quality Craftsmanship.

The ZECL-30 mantle is beautifully hand crafted from maple hardwood and is the perfect mantle to house the ZECL-30-3226. The mantle comes unfinished ready to stain or in Espresso. It is easy to assemble and available only for the ZECL-30-3226.

Unassembled pieces below.



Espresso





ZECL-30-3226-FLUSHMNT Electric Fireplace with Clear fire glass

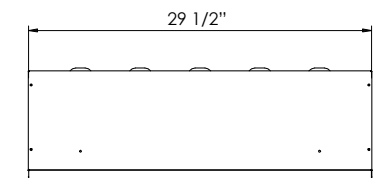
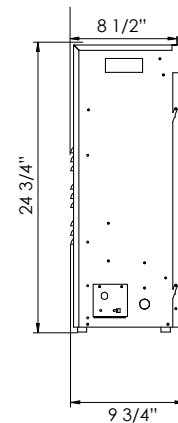
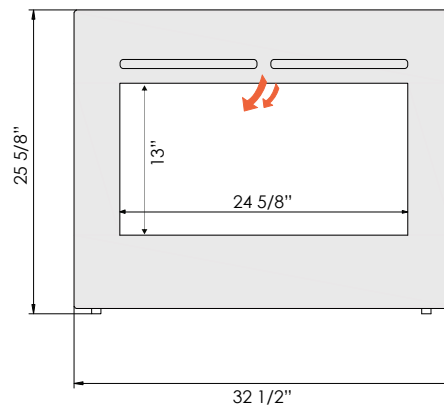
ZECL-30-3226-FLUSHMNT SPECIFICATIONS



ZECL-30-3226 Flushmount

The ZECL-30-3226-FLUSHMNT features the same exceptional flame presentation that Amantii is known for. Heat is emitted from the face of the surround allowing for a true flush mount. This stylish unit fits perfectly into any setting. Comes with three colors of fire glass media and LED ember log set.

Volts	120
Amps	12.5
Watts	1500 max
Heater On	1500 watts high, 750 watts low
Heater Off	22 watts
Lamps	LED 22 watts
Rotor Motor	1 at 5 watts
Height, Width, Depth	24 3/4 x 29 1/2 x 8 1/2
Glass Viewing Opening	24 5/8 x 13
Surround Size	32 1/2 x 25 5/8
Shipping Size	27 3/4 x 35 1/4 x 12 1/4
Shipping Weight	64 lbs. Glass Included
Cord Length	76"



versatile



ZECL-33-3624 Electric Fireplace with optional Blaze fire glass

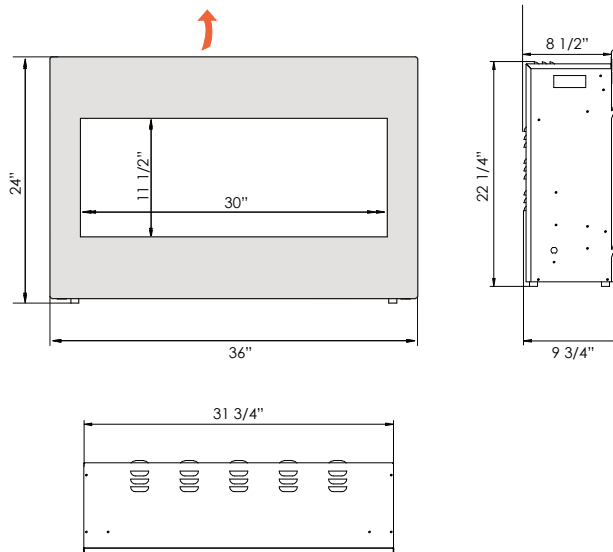
ZECL-33-3624 SPECIFICATIONS



Clean & Distinct.

An excellent alternative to gas or wood fireplaces, the electric ZECL-33-3624 is designed for new construction or renovation projects. Enjoy our state-of-the-art flame and heating system faster thanks to a quick and easy installation. Comes with three colors of fire glass media and LED ember log set.

Volts	120
Amps	12.5
Watts	1500 max
Heater On	1500 watts high, 750 watts low
Heater Off	22 watts
Lamps	LED 22 watts
Rotor Motor	1 at 5 watts
Height, Width, Depth	22 1/4 x 30 3/4 x 8 1/2
Glass Viewing Opening	30 x 11 1/2
Surround Size	36 x 24
Shipping Size	26 x 38 1/4 x 12 1/4
Shipping Weight	66 lbs. Glass Included
Cord Length	76"





ZECL-39-4134 Electric Fireplace
with optional Sable fire glass

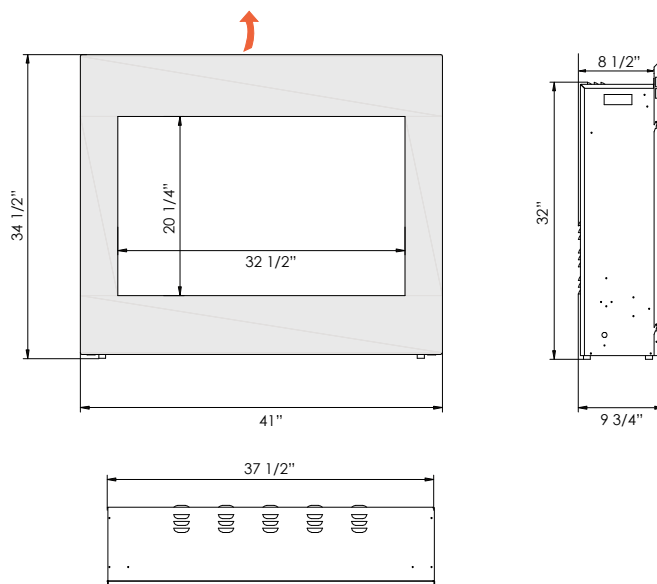
ZECL-39-4134 SPECIFICATIONS



Striking & Bold.

This bold unit is both eye catching and practical. The ZECL-39-4134 is designed for easy, fast installation and is perfect for new construction builds or renovations. Features a black glass surround and comes with three colors of fire glass media and LED ember log set.

Volts	120
Amps	12.5
Watts	1500 max
Heater On	1500 watts high, 750 watts low
Heater Off	22 watts
Lamps	LED 22 watts
Rotor Motor	1 at 5 watts
Height, Width, Depth	32 x 37 1/2 x 8 1/2
Glass Viewing Opening	32 1/2 x 20 1/4
Surround Size	41 x 34 1/2
Shipping Size	36 3/8 x 44 1/8 x 12 1/4
Shipping Weight	86 lbs. Glass Included
Cord Length	76"





ZECL-2939 Electric
Fireplace with log set

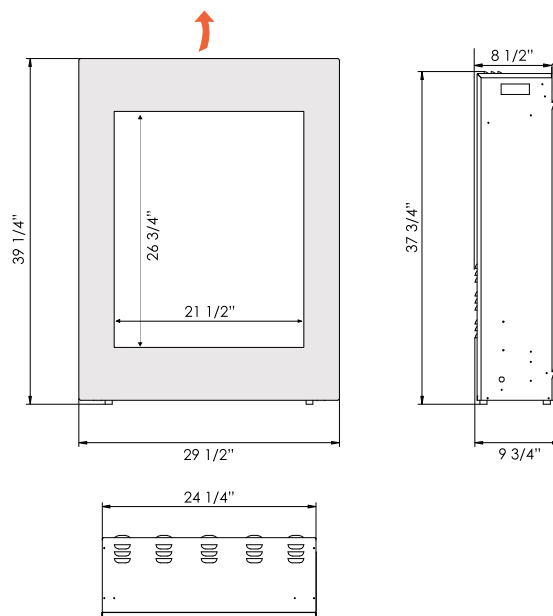
ZECL-2939 SPECIFICATIONS



Versatile & Cozy.

The ZECL-2939 electric fireplace is a stylish, vertical option. It gives you the benefit of fitting easily into a small room and adding warmth to any space in your home. Features a black glass surround and comes with three colors of fire glass media and an LED ember log set. Ideal for new construction or renovations.

Volts	120
Amps	12.5
Watts	1500 max
Heater On	1500 watts high, 750 watts low
Heater Off	22 watts
Lamps	LED 22 watts
Rotor Motor	1 at 5 watts
Height, Width, Depth	37 3/4 x 24 1/4 x 8 1/2
Glass Viewing Opening	21 1/2 x 26 3/4
Surround Size	29 1/2 x 39 1/4
Shipping Size	41 x 32 1/2 x 12 1/4
Shipping Weight	66 lbs. Glass Included
Cord Length	76"



ACCESSORIES & FIRE GLASS OPTIONS



ZECL-39-4134 Electric Fireplace with Sun Tea fire glass

FIRE GLASS COLORS

The three fire glass colors below are included with the WM/BI Series, ZECL Series, BLT-IN Series, WM-50 and WM-3522CF



Hz-01 Clear



Hz-04 Harvest Moon



Hz-09 Sun Tea

LED EMBER LOG SET

The logs come with both the WM/BI Series, ZECL Series, INSERT Series and the WM-50.



NEW! 6-PIECE LOG SET

The 6-piece log set comes with the BI-50-DEEP, BI-72-DEEP and WM-BI-2428-VLR models ONLY.
(available for other models to purchase for an additional charge).



OPTIONAL FIRE GLASS

The six optional fire glass colors below are available to purchase at an additional charge.



Hz-05 Goldenrod



Hz-06 Blaze



Hz-07 Sunset



Hz-08 Sable



Fire & Ice*
Clear and blue diamonds

* Fire & Ice media is included with the Fire & Ice Series ONLY.
(available for other models to purchase for an additional charge).

Variations in color and shade are inherent in all printing processes, the actual colors may vary slightly from those shown in this brochure.
Please visit your local dealer to view a sample.

INSERT SERIES

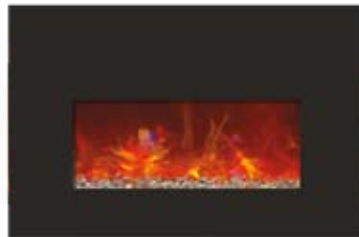


Small INSERT-26-3825 Electric Fireplace with optional Goldenrod fire glass

INSERT-26-3825 SPECIFICATIONS

INSERT SERIES Fireplace Features

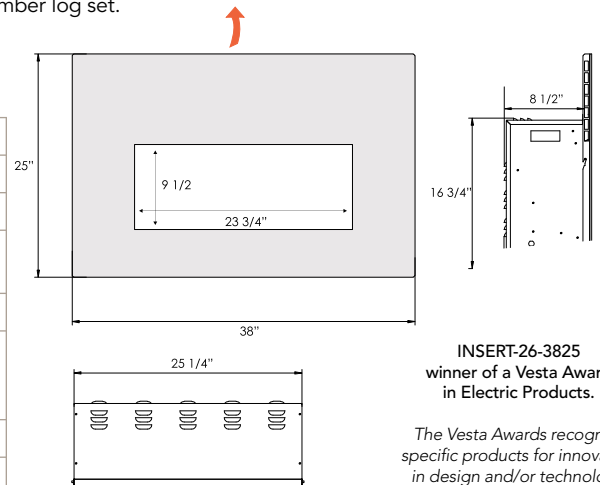
- Great alternative for wood or gas inserts
- Perfect for renovations or retrofits
- 3 popular sizes
- Clean black glass surround
- **NEW** Hard wire ready
- Control brightness of front and rear flames
- Latest LED light technology
- **NEW** LED ember lights in log set
- Flame operates with or without heat
- Heat and fan
- Heat is vented out the top
- No grills
- Approx. heating area 400 - 500 sq. ft.
- Remote control for flame and heater
- Three colors of fire glass media and LED ember log set in the box
- 4 leveling legs on the underside
- Plug on the left side
- Cord length - 76"



Ideal for Home Improvements

Designed as an alternative for wood or gas inserts the INSERT-26-3825 is modern and sophisticated. This unit is quick and easy to install making it an ideal application if you are renovating an existing fireplace. Comes with three colors of fire glass media and LED ember log set.

Volts	120
Amps	12.5
Watts	1500 max
Heater On	1500 watts high, 750 watts low
Heater Off	22 watts
Lamps	LED 22 watts
Rotor Motor	1@5 watts
Height, Width, Depth	16 3/4 x 25 1/4 x 8 1/2
Glass Viewing Opening	23 3/4 x 9 1/2
Surround Size	38 x 25
Shipping Size	27 1/4 x 41 3/8 x 12 1/4
Shipping Weight	62 lbs. Glass Included



INSERT-26-3825
winner of a Vesta Award
in Electric Products.

The Vesta Awards recognize
specific products for innovation
in design and/or technology.



Minimum opening size required 17 1/8" H x 25 5/8" W



Medium INSERT-30-4230 Electric Fireplace with a mix of Clear and Harvest Moon fire glass

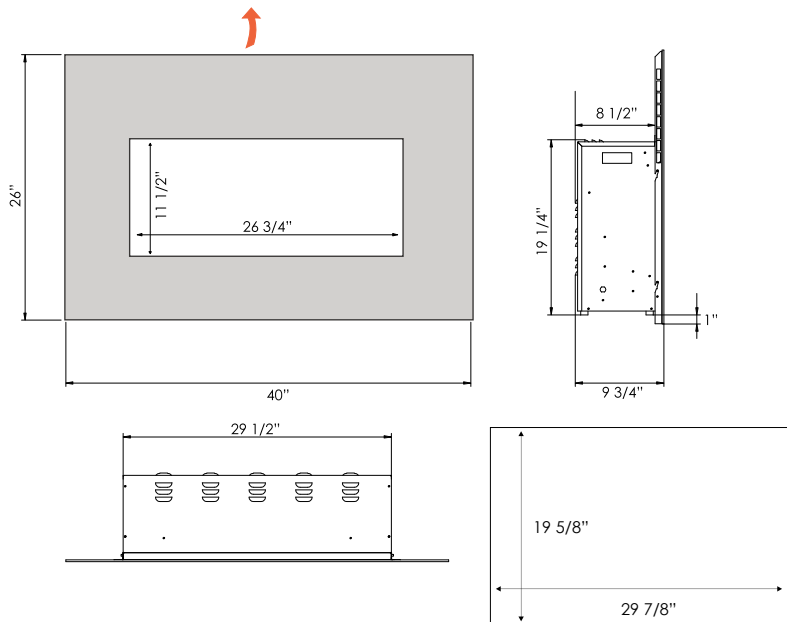
INSERT-30-4026 SPECIFICATIONS



Practical & Efficient.

Breathe new life into existing masonry or metal fireplaces with the stylish electric Insert-30-4026. Designed as an alternative to wood or gas units the Insert-30-4026 is modern and sophisticated. This medium sized unit is ideal for renovations and is quick and easy to install. The Insert-30-4026-BLKGLS Comes with three colors of fire glass media and LED ember log set.

Volts	120
Amps	12.5
Watts	1500 max
Heater On	1500 watts high, 750 watts low
Heater Off	22 watts
Lamps	LED 22 watts
Rotor Motor	1@5 watts
Height, Width, Depth	19 1/4 x 29 1/2 x 8 1/2
Glass Viewing Opening	26 3/4 x 11 1/2
Surround Size	40 x 26
Shipping Size	32 3/8 x 44 3/4 x 12 1/4
Shipping Weight	73 lbs. Glass Included



Minimum opening size required 19 5/8" H :



Large INSERT-33-4230
Electric Fireplace with log set

make an impact

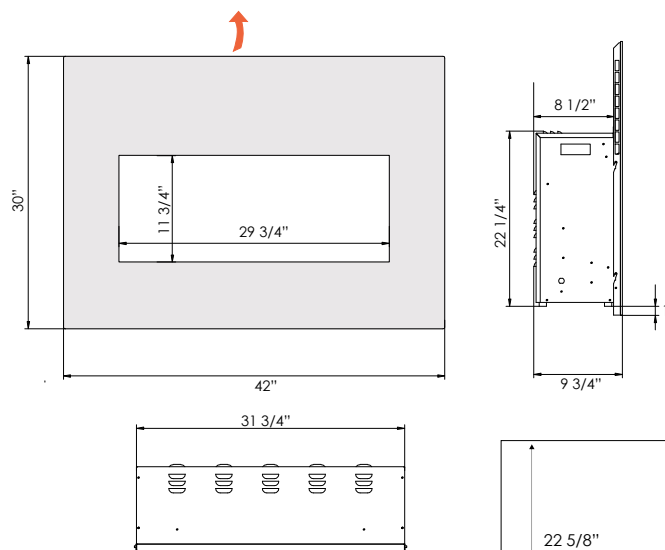
INSERT-33-4230 SPECIFICATIONS



Charming & Resourceful.

A perfect alternative for wood or gas inserts, the electric Insert-33-4230 is stylish and practical. This large sized unit is quick and easy to install making it an ideal application if you are renovating an existing fireplace. Comes with three colors of fire glass media & log set, see page 10 for options.

Volts	120
Amps	12.5
Watts	1500 max
Heater On	1500 watts high, 750 watts low
Heater Off	22 watts
Lamps	LED 22 watts
Rotor Motor	1@5 watts
Height, Width, Depth	22 1/4 x 31 3/4 x 8 1/2
Glass Viewing Opening	29 3/4 x 11 3/4
Surround Size	42 x 30
Shipping Size	32 3/8 x 45 1/8 x 12 1/4
Shipping Weight	80 lbs. Glass Included



Minimum opening size required 22 5/8" H x 32 1/8" W

PRICE LIST

Part Number	Description	MSRP
-------------	-------------	------

ZERO CLEARANCE

ZECL-26-2923	26" Zero Clearance Unit with 29" x 23" Black Glass Surround	
ZECL-26-2923-FLUSHMT	26" Zero Clearance Unit with 29" x 23" Black Glass Surround	
ZECL-30-3226	30" Zero Clearance Unit with 32" x 26" Black Glass Surround	
ZECL-30-3226-FLUSHMT	30" Zero Clearance Unit with 32" x 26" Black Glass Surround	
ZECL-30-3226-MANT-ESPRESSO	30" Unit with Espresso stained Mantle	
ZECL-33-3624	33" Zero Clearance Unit with 36" x 24" Black Glass Surround	
ZECL-39-4134	39" Zero Clearance Unit with 41" x 34" Black Glass Surround	
ZECL-2939	Zero Clearance Electric Fireplace with 29" x 39" Black Glass Surround	

INSERTS

INSERT-26-3825	Small Insert Electric Fireplace
INSERT-30-4026	Medium Insert Electric Fireplace
INSERT-33-4230	Large Insert Electric Fireplace

Amantii

Phone: 888.406.8764
Fax: 877.498.4206
Web site: www.amantii.com



Distributed By:



Intertek